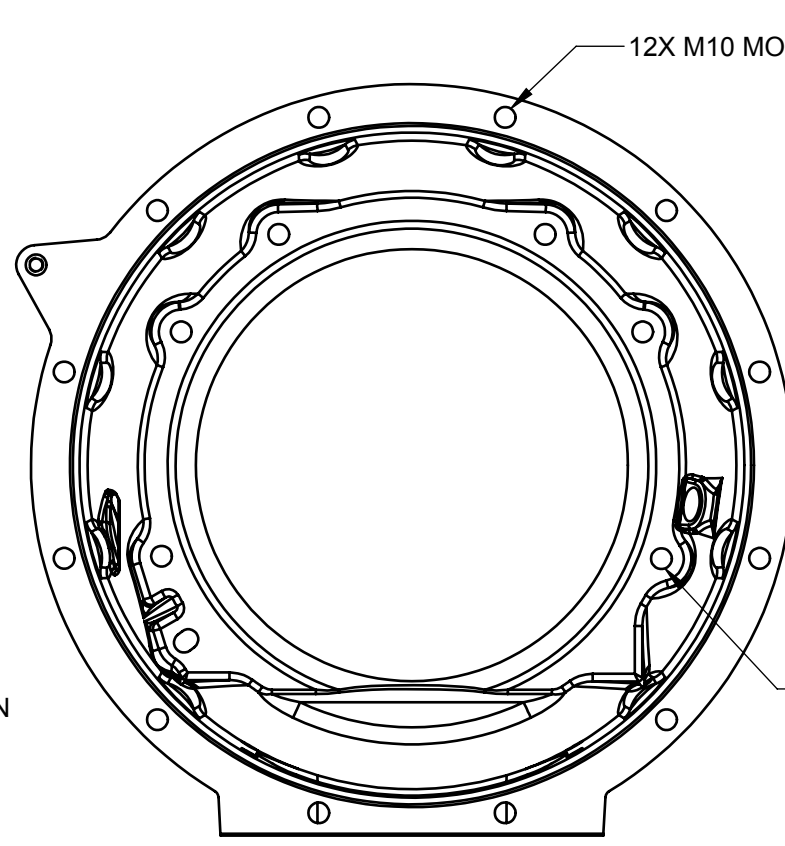
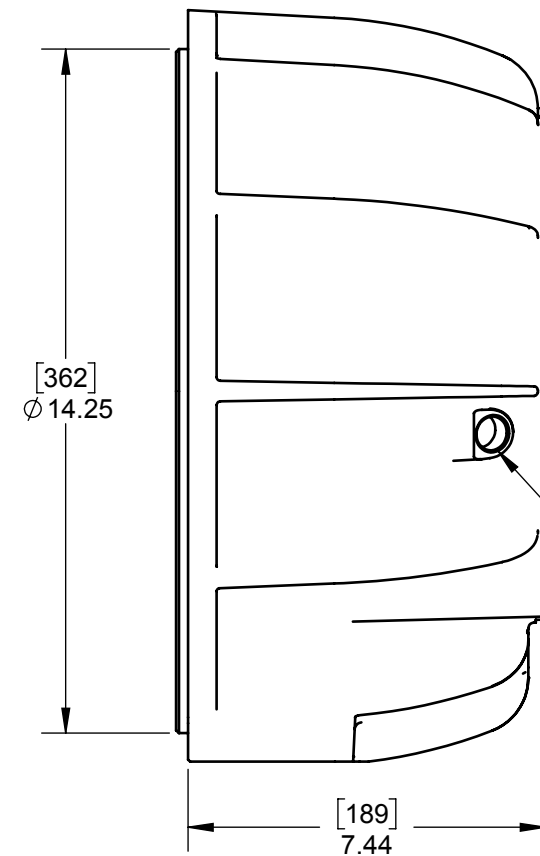


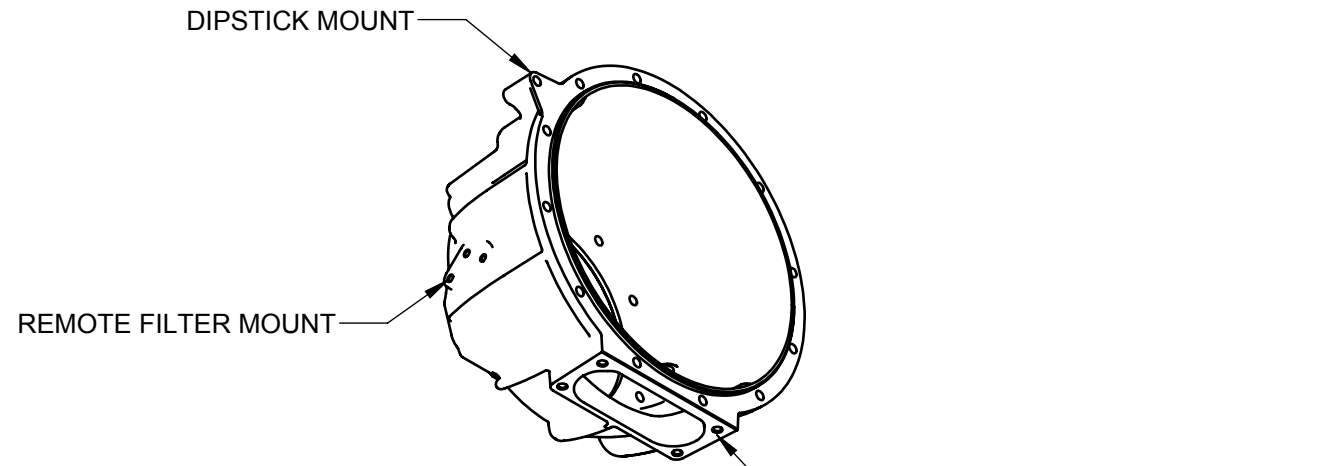
**FRONT VIEW**  
SAE4 REV2 BELL  
SCALE: 1:4



**FRONT VIEW**  
SAE4 REV5 BELL  
SCALE: 1:4



**SIDE VIEW**  
DEPTHS  
SCALE: 1:4



**ISO VIEW**  
GEN5 FEATURES  
SCALE: 1:8



DESCRIPTION  
**SAE4 TO 4LHD BELLHOUSING**

USED ON	NEXT ASSEMBLY
DRAWN BY	MFP
ENG APPR.	5/18/2018
DIMENSIONS ARE IN INCHES	SCALE: 1:8 SHEET 1 OF 1

SIZE	DRAWING NO.	REV
<b>B</b>	<b>BEL2404</b>	<b>N/A</b>

**PROPRIETARY AND CONFIDENTIAL**  
THE INFORMATION CONTAINED IN THIS DRAWING IS THE SOLE PROPERTY OF PCS. ANY REPRODUCTION IN PART OR AS A WHOLE WITHOUT THE WRITTEN PERMISSION OF PCS IS PROHIBITED.