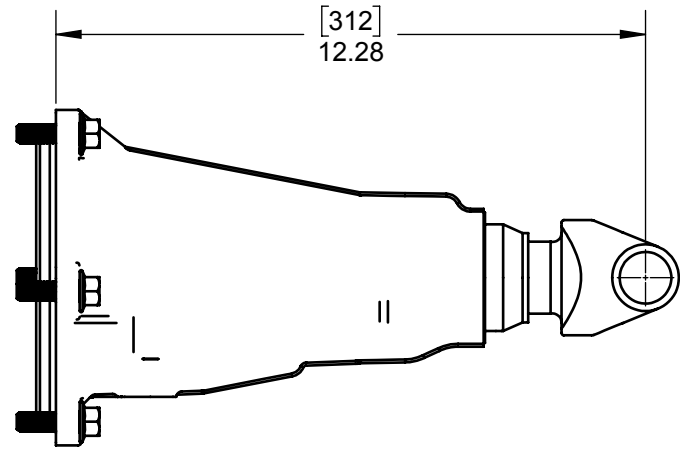


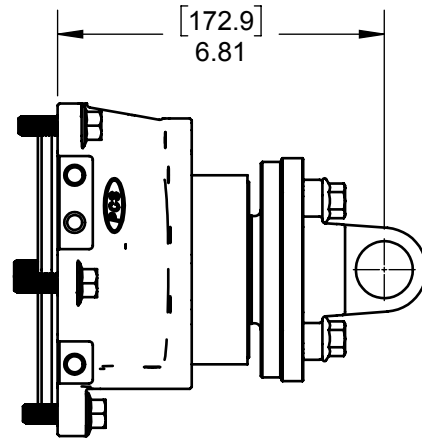
1 2 3 4 5 6 7 8

A
B
C
D
E
F

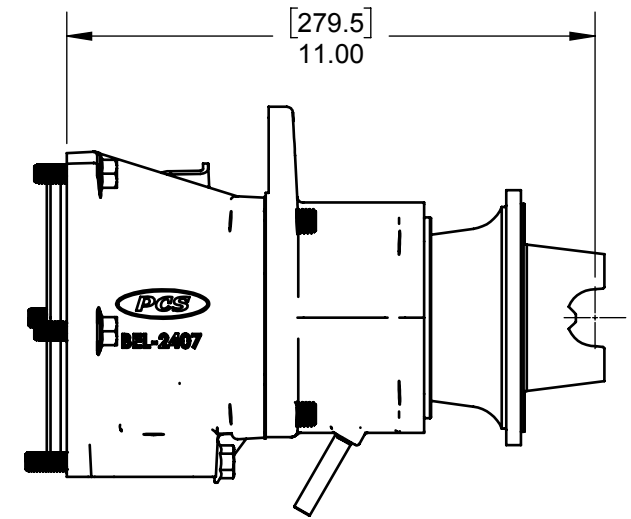
A
B
C
D
E
F



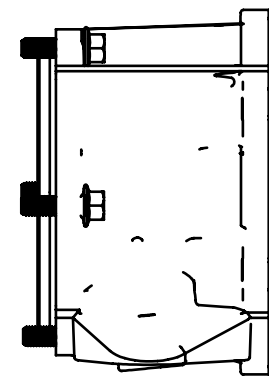
GM 2WD SLIP YOKE
W/ 2WD OUTPUT SHAFT
SCALE: 1:4



PCS FFO HOUSING
W/ 4WD OUTPUT SHAFT
SCALE: 1:4

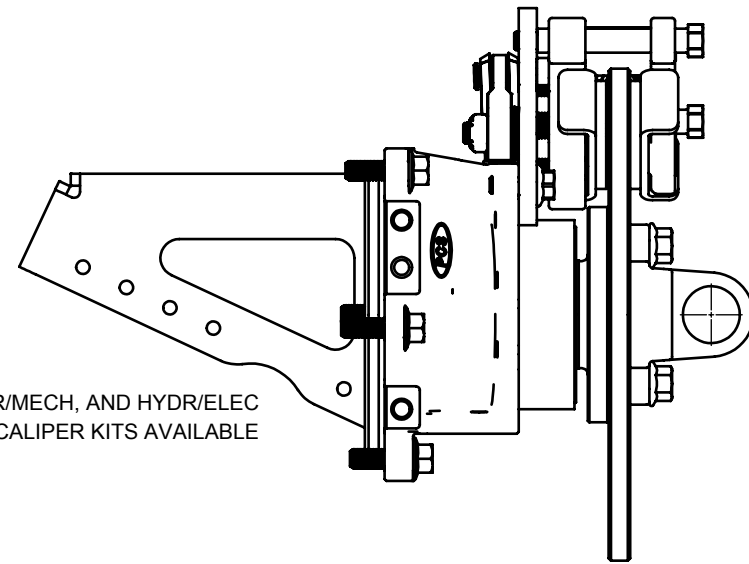


PCS C6 REPLACEMENT
W/ 4WD OUTPUT SHAFT
SCALE: 1:4

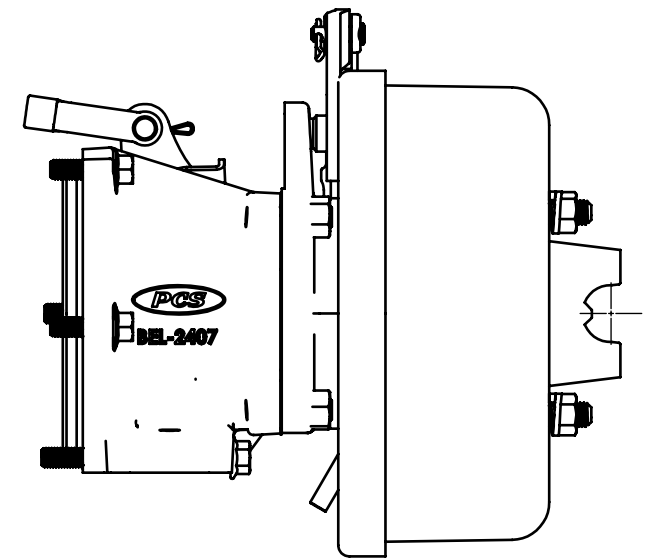


GM 4WD HOUSING
W/ 4WD OUTPUT SHAFT
SCALE: 1:4

MECHANICAL, HYDR/MECH, AND HYDR/ELEC
CALIPER KITS AVAILABLE



PCS FFO + DISC KIT
W/ 4WD OUTPUT SHAFT
SCALE: 1:4



PCS C6 REPLACEMENT + DRUM KIT
W/ 4WD OUTPUT SHAFT
SCALE: 1:4



DESCRIPTION
PCS EXTENSION HOUSING IDENTIFICATION

PROPRIETARY AND CONFIDENTIAL
THE INFORMATION CONTAINED IN THIS DRAWING IS THE SOLE PROPERTY OF PCS. ANY REPRODUCTION IN PART OR AS A WHOLE WITHOUT THE WRITTEN PERMISSION OF PCS IS PROHIBITED.

USED ON	NEXT ASSEMBLY
DRAWN BY	MFP 4/24/2018
ENG APPR.	
DIMENSIONS ARE IN INCHES	SCALE: 1:4 SHEET 1 OF 1

SIZE	DRAWING NO.	REV
B	N/A	1

1 2 3 4 5 6 7 8