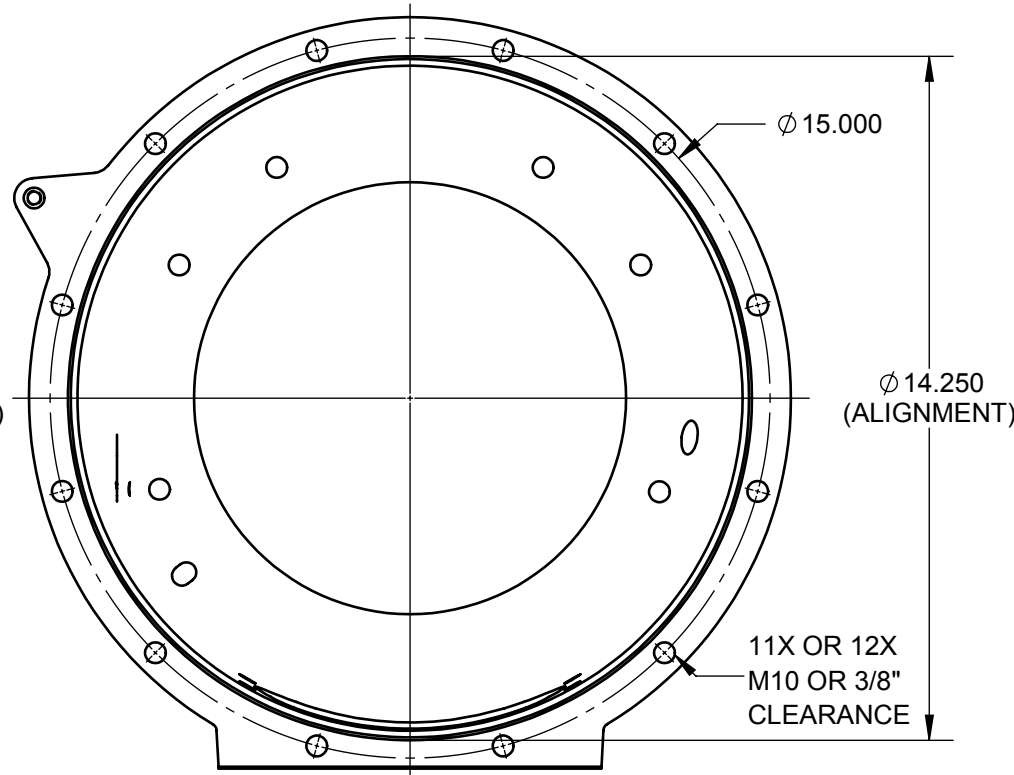
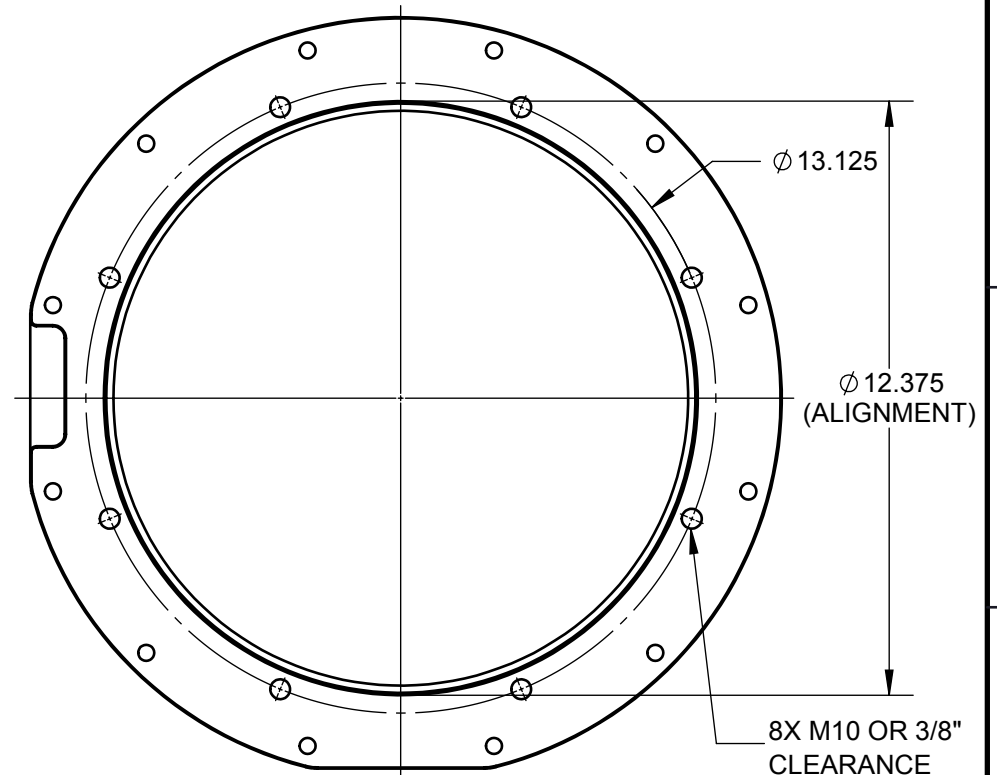


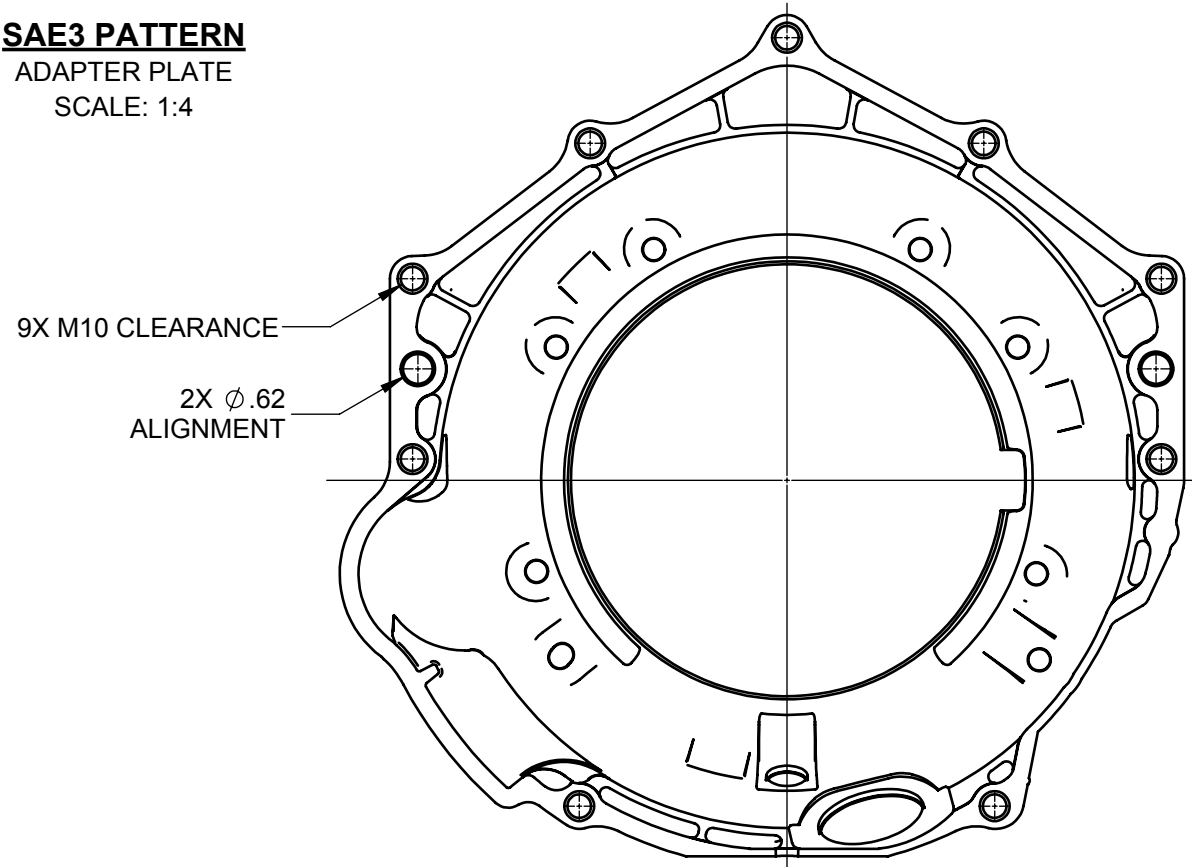
**SAE3 PATTERN**  
ADAPTER PLATE  
SCALE: 1:4



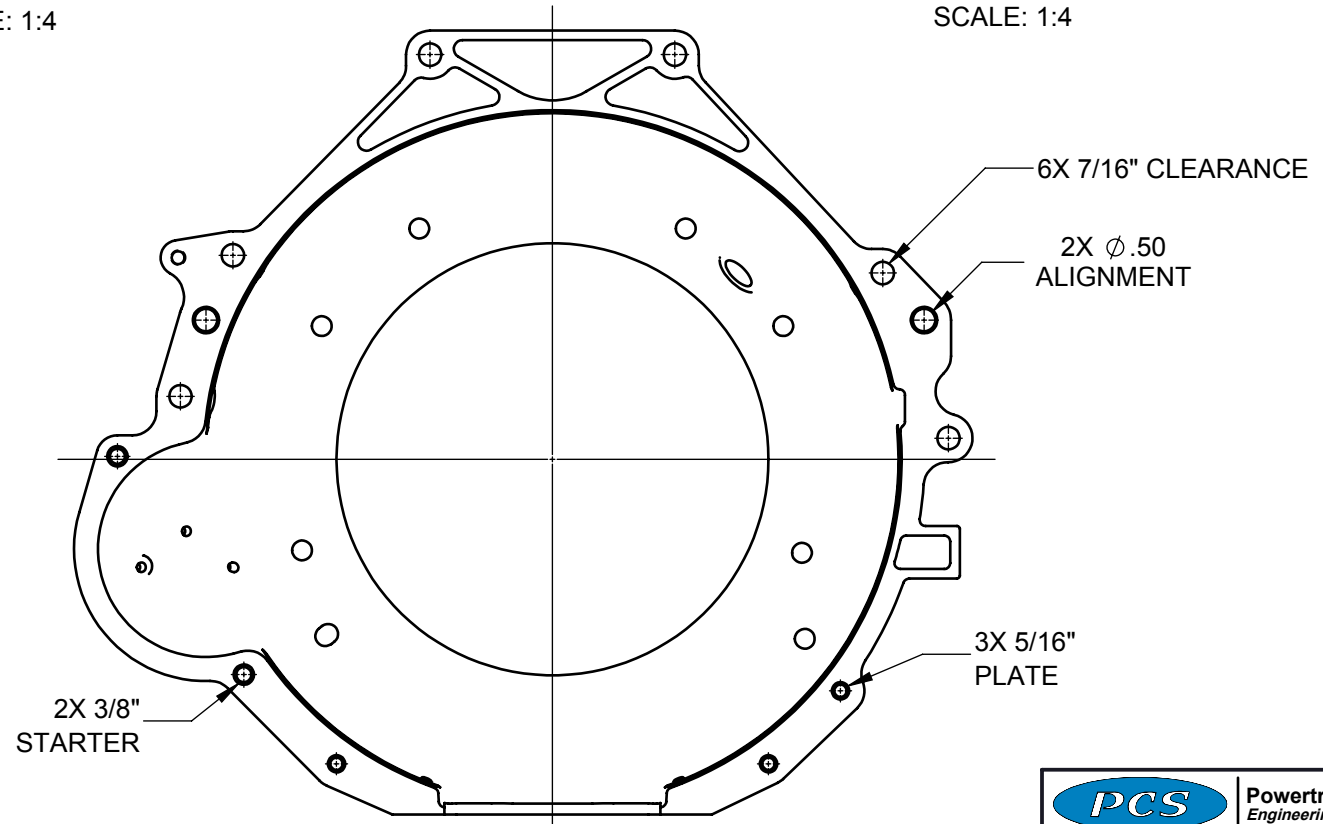
**SAE4 PATTERN**  
BELLHOUSING  
SCALE: 1:4



**SAE5 PATTERN**  
ADAPTER PLATE  
SCALE: 1:4



**GM LS PATTERN**  
BELLHOUSING  
SCALE: 1:4



**FORD C6 PATTERN**  
BELLHOUSING  
SCALE: 1:4

**PROPRIETARY AND CONFIDENTIAL**  
THE INFORMATION CONTAINED IN THIS DRAWING IS THE SOLE PROPERTY OF PCS. ANY REPRODUCTION IN PART OR AS A WHOLE WITHOUT THE WRITTEN PERMISSION OF PCS IS PROHIBITED.

USED ON	NEXT ASSEMBLY
DRAWN BY	MFP 4/24/2018
ENG APPR.	
DIMENSIONS ARE IN INCHES	SCALE: 1:8 SHEET 1 OF 1

<b>Powertrain Control Solutions</b> <i>Engineering the future of driveline control</i>	
DESCRIPTION	
<b>PCS BELLHOUSING PATTERN IDENTIFICATION</b>	
SIZE	DRAWING NO.
<b>B</b>	N/A
REV	1