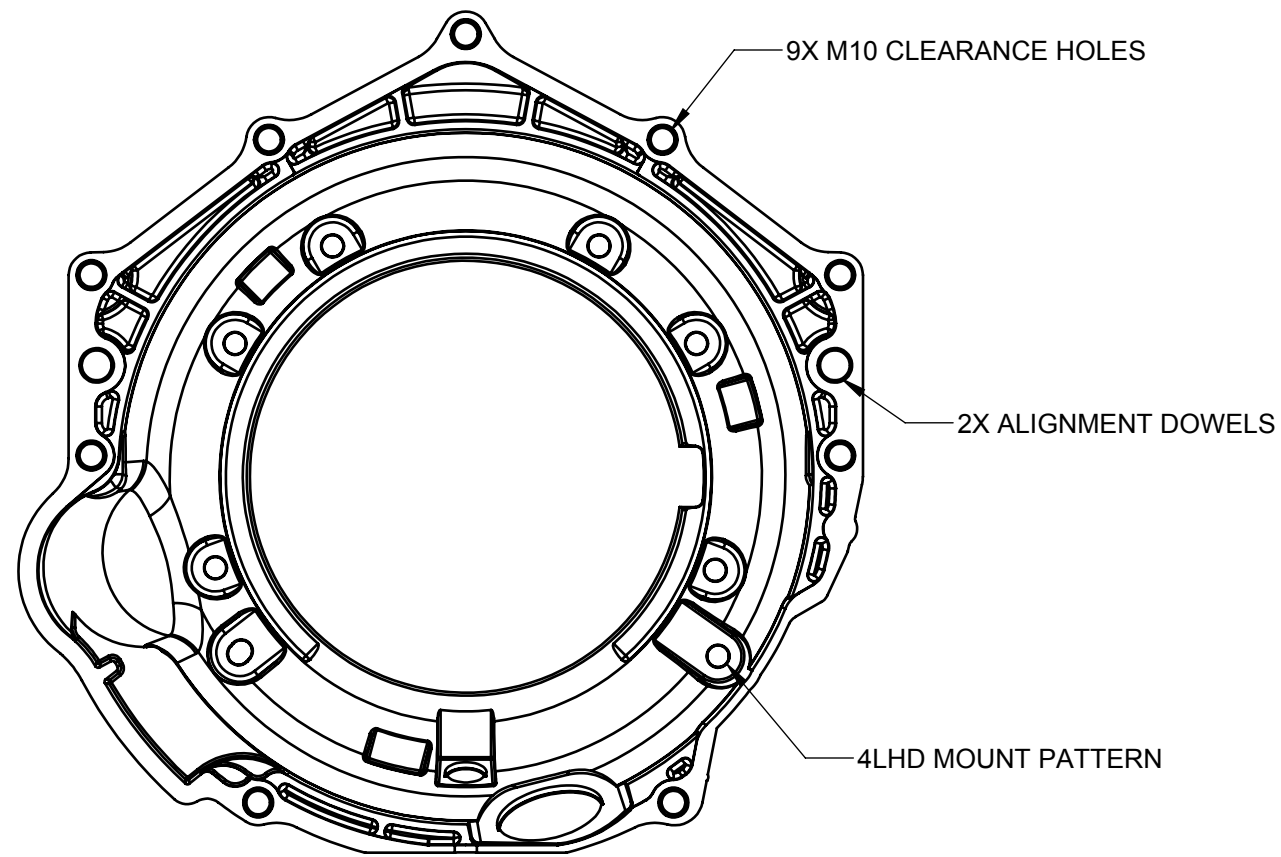
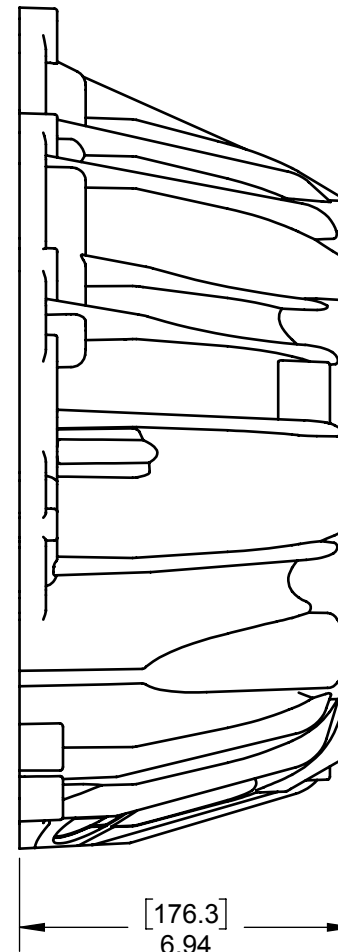


1 2 3 4 5 6 7 8

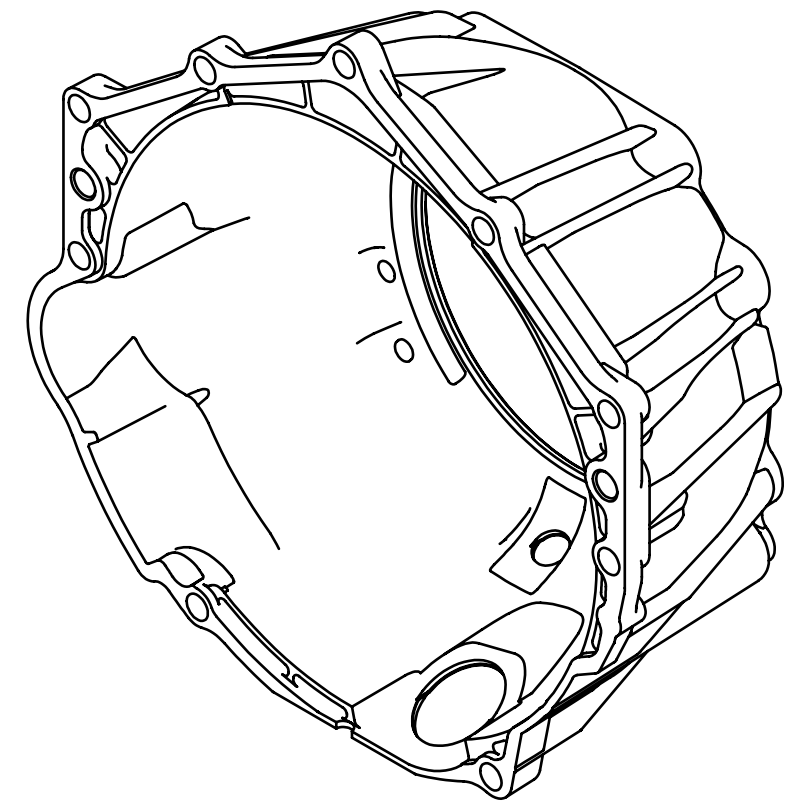
A
B
C
D
E
F



FRONT VIEW
LS GENIII
SCALE: 1:4



SIDE VIEW
LS GENIII
SCALE: 1:4



ISO VIEW
LS GENIII
SCALE: 1:4

PCS Powertrain Control Solutions
Engineering the future of driveline control

DESCRIPTION
LS GENIII BELLHOUSING

USED ON	NEXT ASSEMBLY

DRAWN BY	MFP	5/18/2018
ENG APPR.		

SIZE	DRAWING NO.	REV
B	BEL2403	1

PROPRIETARY AND CONFIDENTIAL
THE INFORMATION CONTAINED IN THIS DRAWING IS THE SOLE PROPERTY OF PCS. ANY REPRODUCTION IN PART OR AS A WHOLE WITHOUT THE WRITTEN PERMISSION OF PCS IS PROHIBITED.



SCALE: 1:8 SHEET 1 OF 1

1 2 3 4 5 6 7 8