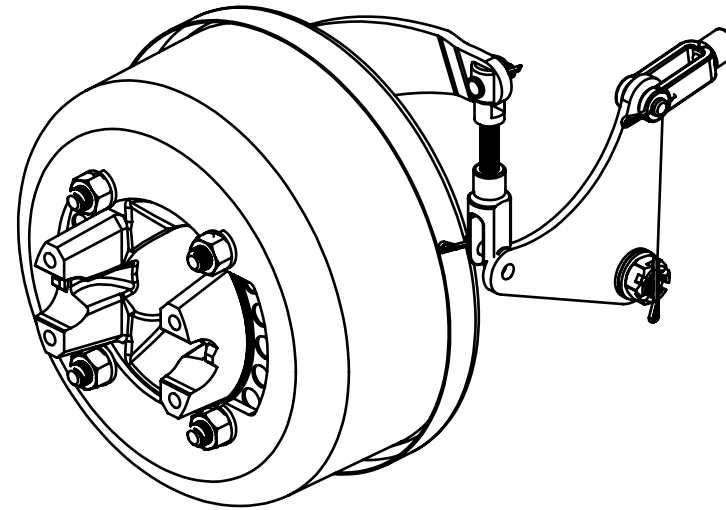
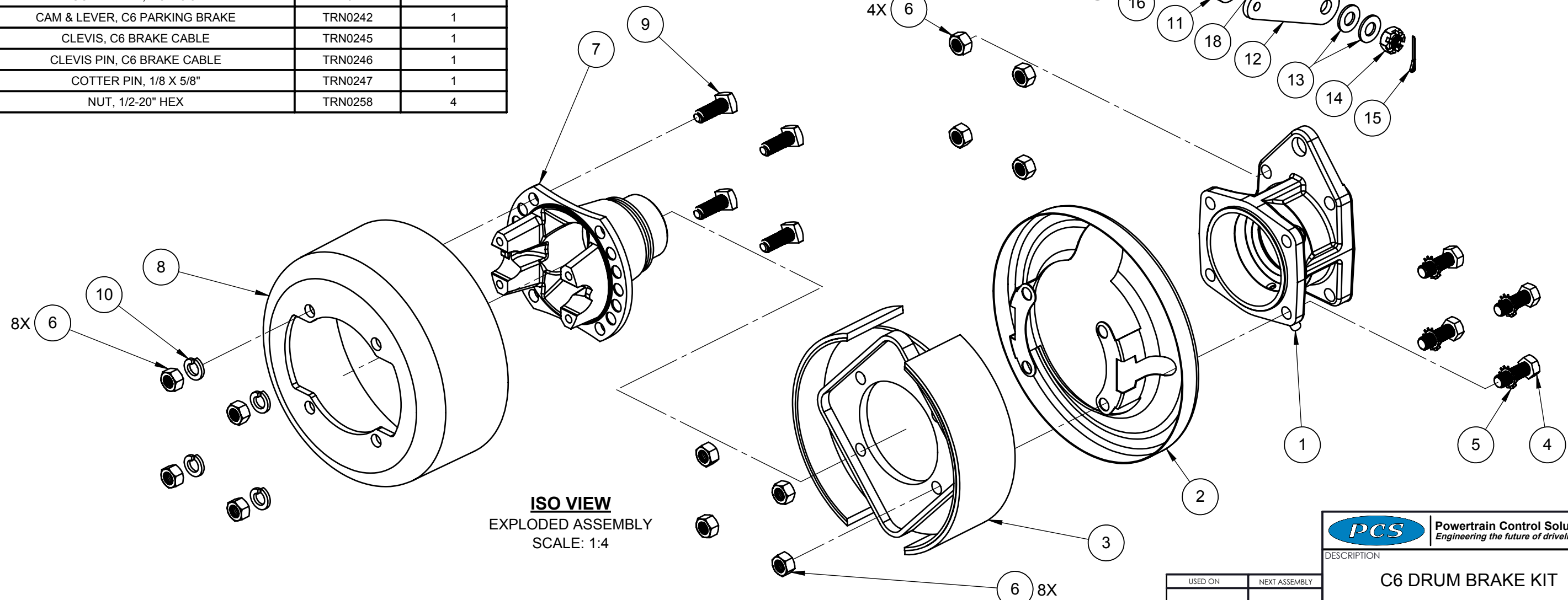
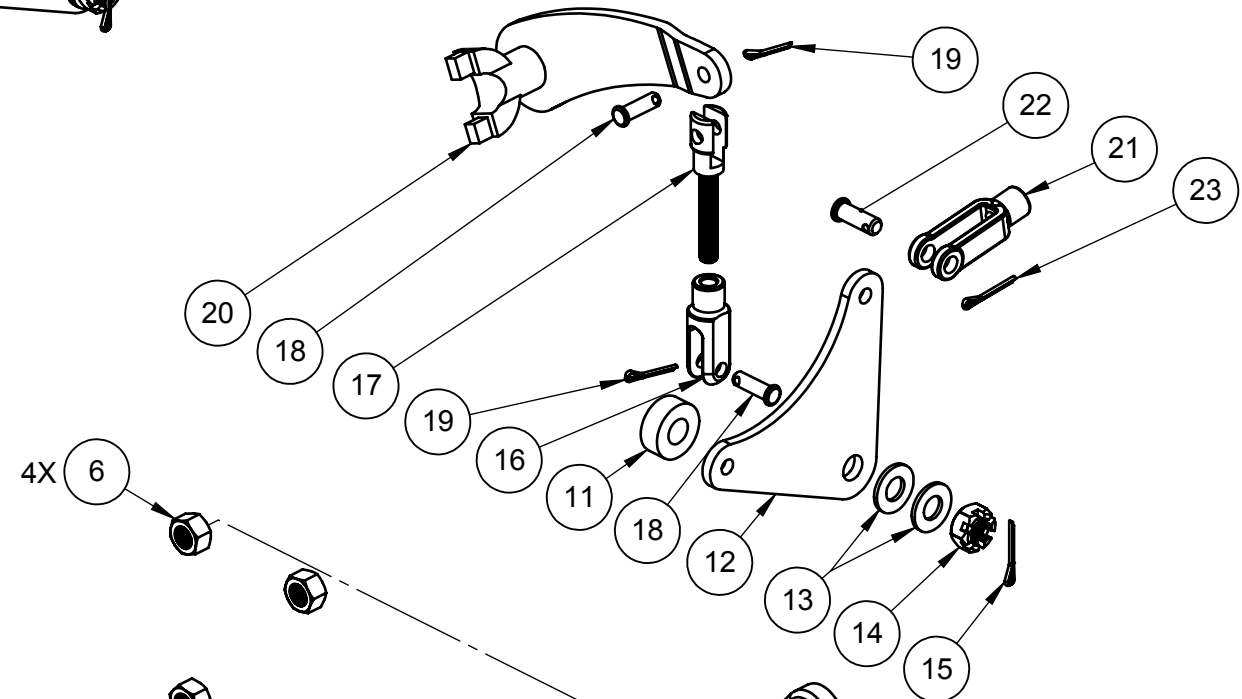


BOM #	DESCRIPTION	PCS PART #	QTY
1	C6 BRAKE HOUSING W/ SEALS	TRN8630	1
2	DUST SHIELD, C6 PARKING BRAKE	TRN0248	1
3	SHOW ASSEMBLY, C6 PARKING BRAKE	TRN0249	1
4	BOLT, 1/2-13X1.5" HEX	TRN0250	4
5	1/2" TOOTH LOCK WASHER	TRN0233	4
6	1/2-13" HEX NUT	TRN0234	8
7	C6 YOKE	TRN0251	1
8	DRUM, C6 PARKING BRAKE	TRN0252	1
9	BOLT, 1/2-13X1.44" SQUARE HEAD	TRN0253	4
10	1/2" SPLIT WASHER	TRN0254	4
11	SPACER, BELL CRANK	TRN0235	1
12	BELL CRANK	TRN0236	1
13	FLAT WASHER, 9/16"	TRN0237	2
14	NUT, 9/16-18" SLOTTED	TRN0238	1
15	COTTER PIN, 3/32 X 3/4"	TRN0239	1
16	YOKE END, FEMALE	TRN0240	1
17	YOKE END, MALE	TRN0241	1
18	CLEVIS PIN, C6 LINKAGE, 5/16X1"	TRN0243	2
19	COTTER PIN, 1/8 X 5/8"	TRN0244	2
20	CAM & LEVER, C6 PARKING BRAKE	TRN0242	1
21	CLEVIS, C6 BRAKE CABLE	TRN0245	1
22	CLEVIS PIN, C6 BRAKE CABLE	TRN0246	1
23	COTTER PIN, 1/8 X 5/8"	TRN0247	1
24	NUT, 1/2-20" HEX	TRN0258	4



ISO VIEW
ASSEMBLED KIT
SCALE: 1:4



ISO VIEW
EXPLODED ASSEMBLY
SCALE: 1:4

PCS Powertrain Control Solutions
Engineering the future of driveline control

DESCRIPTION
C6 DRUM BRAKE KIT

USED ON	NEXT ASSEMBLY

DRAWN BY	MFP	8/21/2017
ENG APPR.		
DIMENSIONS ARE IN INCHES SCALE: 1:12 SHEET 1 OF 1		

SIZE	DRAWING NO.	REV
B	TRN8805	1

PROPRIETARY AND CONFIDENTIAL
THE INFORMATION CONTAINED IN THIS DRAWING IS THE SOLE PROPERTY OF PCS. ANY REPRODUCTION IN PART OR AS A WHOLE WITHOUT THE WRITTEN PERMISSION OF PCS IS PROHIBITED.