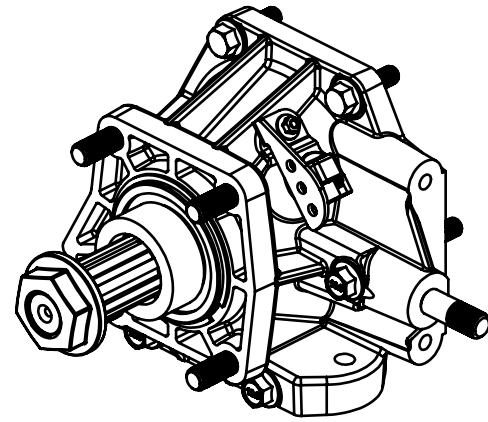
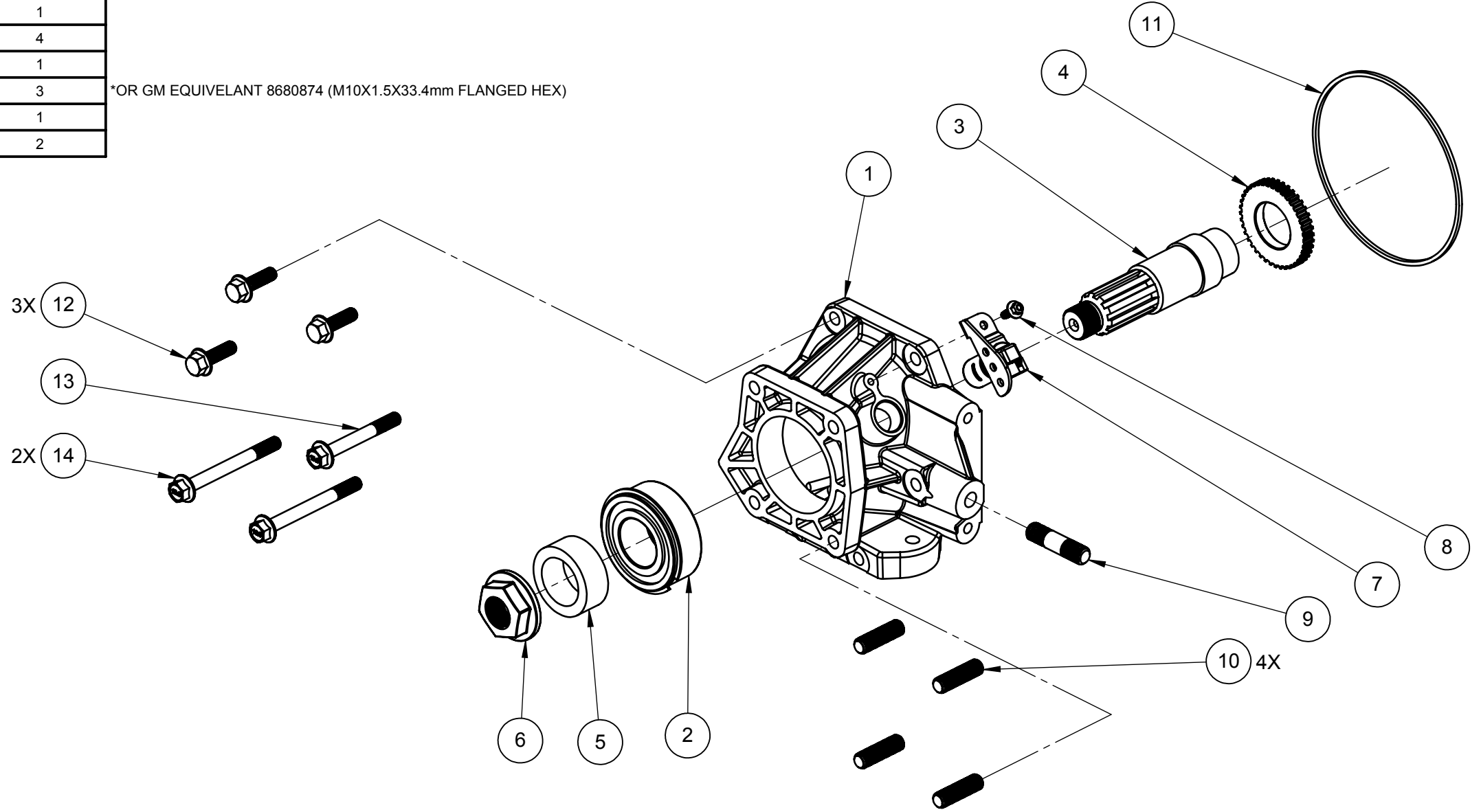


BOM #	DESCRIPTION	PCS PART #	QTY
1	EXTENSION HOUSING - C6 TO 4LHD	BEL2407	1
2	5208 NR DOUBLE BALL BEARING	TRN0226	1
3	C6 OUTPUT SHAFT ADAPTER	BEL2408	1
4	PCS SPEED GEAR	TPB5011	1
5	SPACER - C6 OUTPUT SHAFT ADAPTER	TRN0214	1
6	1-20" UNEF FLANGED LOCKNUT	TRN0225	1
7	4LHD OUTPUT SPEED SENSOR	TRN7060	1
8	BOLT, M6X1.00X16mm FLANGED HEX	TRN7521	1
9	9/16-12" TO 9/16-18" ADAPTER STUD	TRN0204	1
10	1/2-13 TO 1/2-20 ADAPTER STUD	TRN0205	4
11	SEAL - 4LHD EXTENSION HOUSING	TRN7062	1
12	BOLT, M10X1.5X35mm FLANGED HEX	TRN7526	3
13	BOLT, M10X1.5X80mm FLANGED HEX	TRN0211	1
14	BOLT, M10X1.5X100mm FLANGED HEX	TRN0210	2

*OR GM EQUIVELANT 8680874 (M10X1.5X33.4mm FLANGED HEX)



ISO VIEW
ASSEMBLED
SCALE: 1:4



EXPLODED VIEW
KIT COMPONENTS
SCALE: 1:4

NOTES:

- DO NOT INSTALL DRIVELINE COMPONENTS ON THR TRANSMISSION OR IN THE VEHICLE IF THEY SHOW SIGNS OF MANUFACTURING DEFECTS OR SHIPPING / HANDLING DAMAGE.
- FOR MORE INFORMATION ON TRANSMISSION ASSEMBLY AND INSTALLATION PROCEDURES SEE THE "PCS C6 INSTALLATION GUIDE", "PCS 4LHD APPLICATION GUIDE", OR CONSULT PCS ENGINEERING.

PROPRIETARY AND CONFIDENTIAL
THE INFORMATION CONTAINED IN THIS DRAWING IS THE SOLE PROPERTY OF PCS. ANY REPRODUCTION IN PART OR AS A WHOLE WITHOUT THE WRITTEN PERMISSION OF PCS IS PROHIBITED.

DRAWN BY	MFP	8/21/2017
ENG APPR.		
DIMENSIONS ARE IN INCHES		
SCALE: 1:8	SHEET 1 OF 1	

Powertrain Control Solutions <i>Engineering the future of driveline control</i>	
DESCRIPTION	
C6 EXTENSION HOUSING KIT	
SIZE	DRAWING NO.
B	TRN8800
REV	1

USED ON	NEXT ASSEMBLY