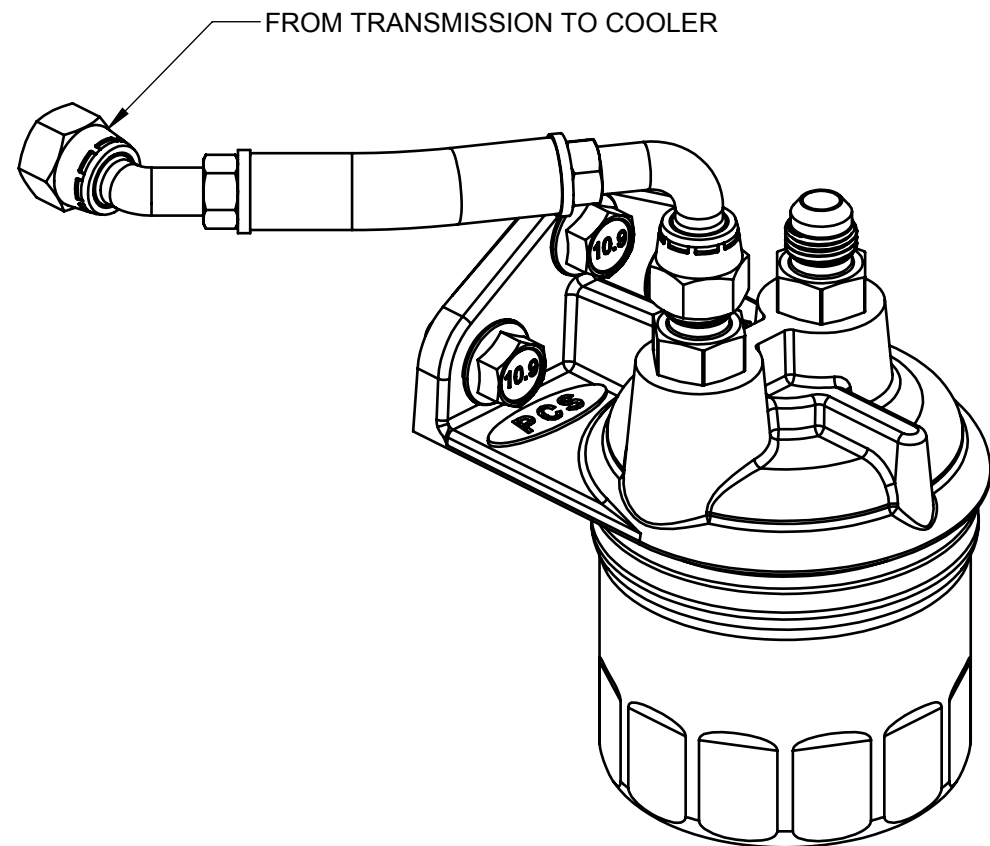


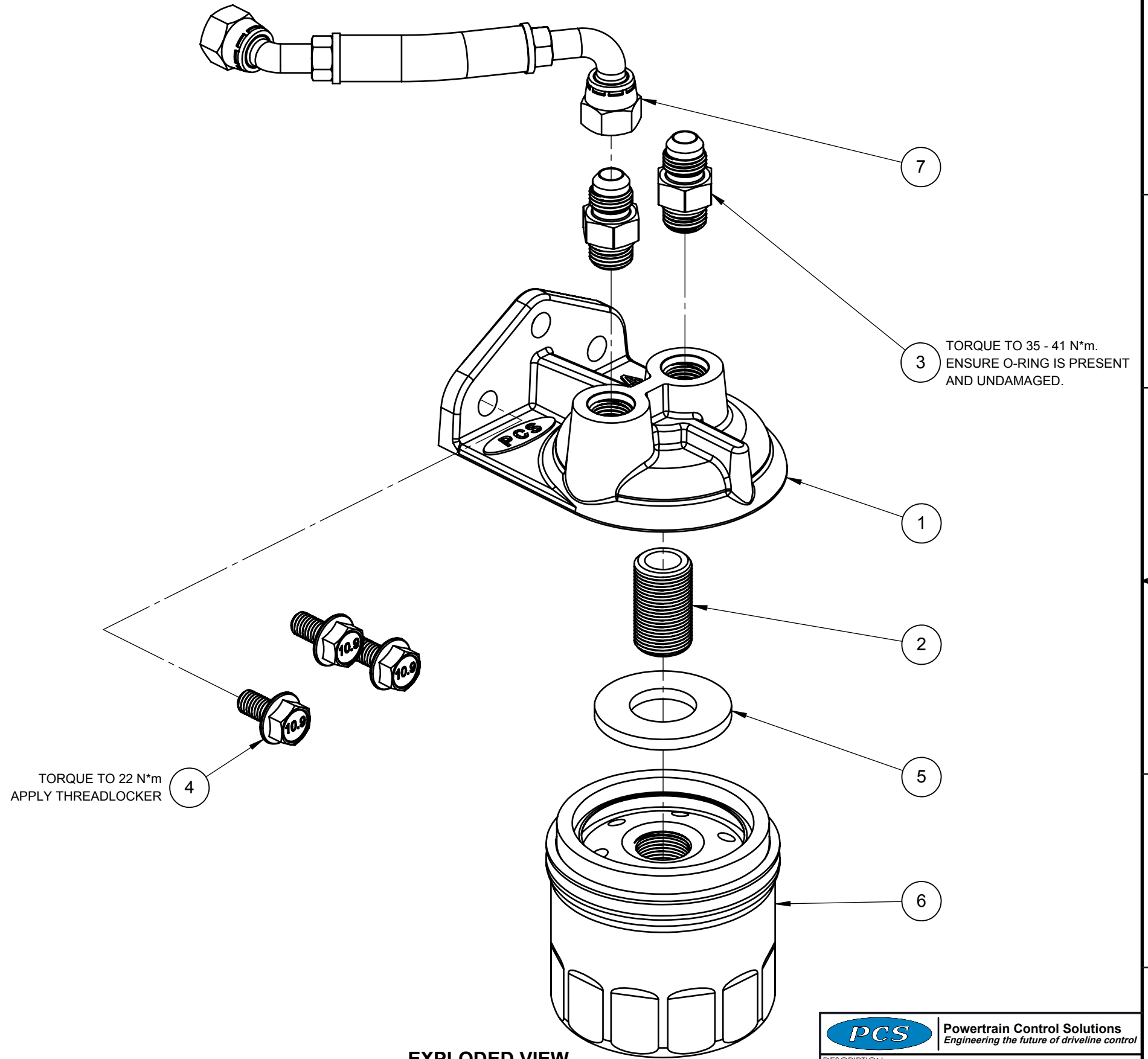
BOM #	DESCRIPTION	PCS PART #	QTY
1	REMOTE ATF FILTER MOUNT, 3/4X20" TO -6ORB	TRN7701	1
2	3/4-20" HOLLOW STUD	TRN7702	1
3	FITTING, -6ORB TO -6JIC	TRN0212	2
4	BOLT, M8X1.25X16mm FLANGED HEX	TRN7509	3
5	MAGNET, REMOTE ATF FILTER	TRN0323	1
6	REMOTE ATF FILTER	TRN7704	1
7	HOSE, 4LHD REMOTE ATF FILTER	TRN7705	1

NOTES:

- ITEMS 5 AND 6 (MAGNET AND FILTER) INCLUDED WITH KIT.
- APPLY ATF TO ALL RUBBER MATING COMPONENTS DURING INSTALLATION.



ISO VIEW
ASSEMBLED
SCALE: 2:3



EXPLODED VIEW
ASSEMBLY ORDER
SCALE: 2:3



DESCRIPTION
REMOTE ATF FILTER KIT

PROPRIETARY AND CONFIDENTIAL
THE INFORMATION CONTAINED IN THIS DRAWING IS THE SOLE PROPERTY OF PCS. ANY REPRODUCTION IN PART OR AS A WHOLE WITHOUT THE WRITTEN PERMISSION OF PCS IS PROHIBITED.

DRAWN BY	MFP	8/8/2017
ENG APPR.		
DIMENSIONS ARE IN INCHES		
SCALE: 1:2	SHEET 1 OF 1	

USED ON	NEXT ASSEMBLY	
SIZE	DRAWING NO.	REV
B	TRN7700	1