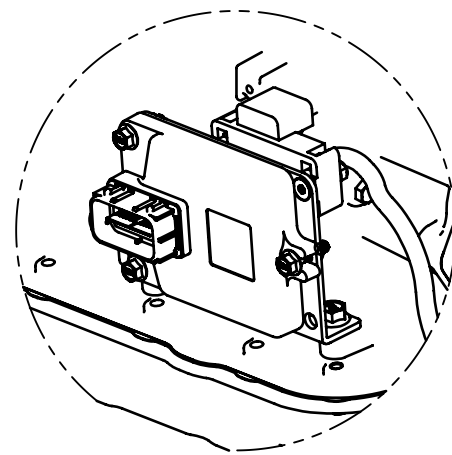
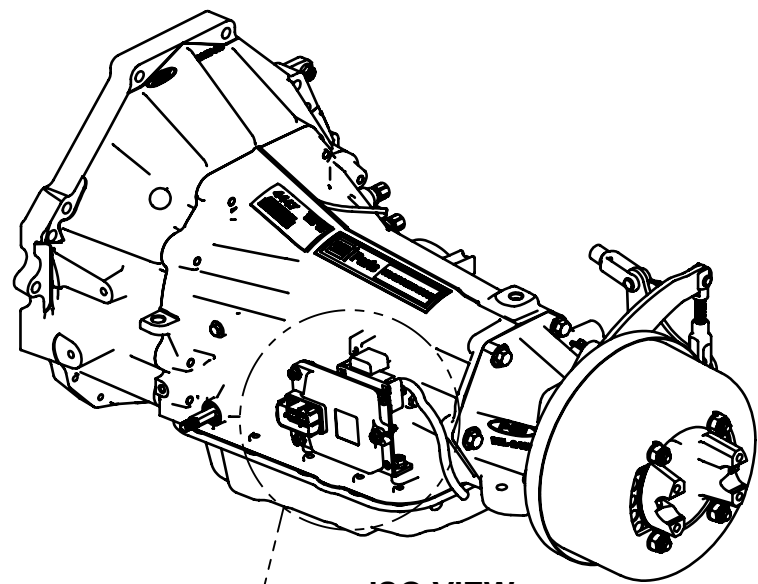
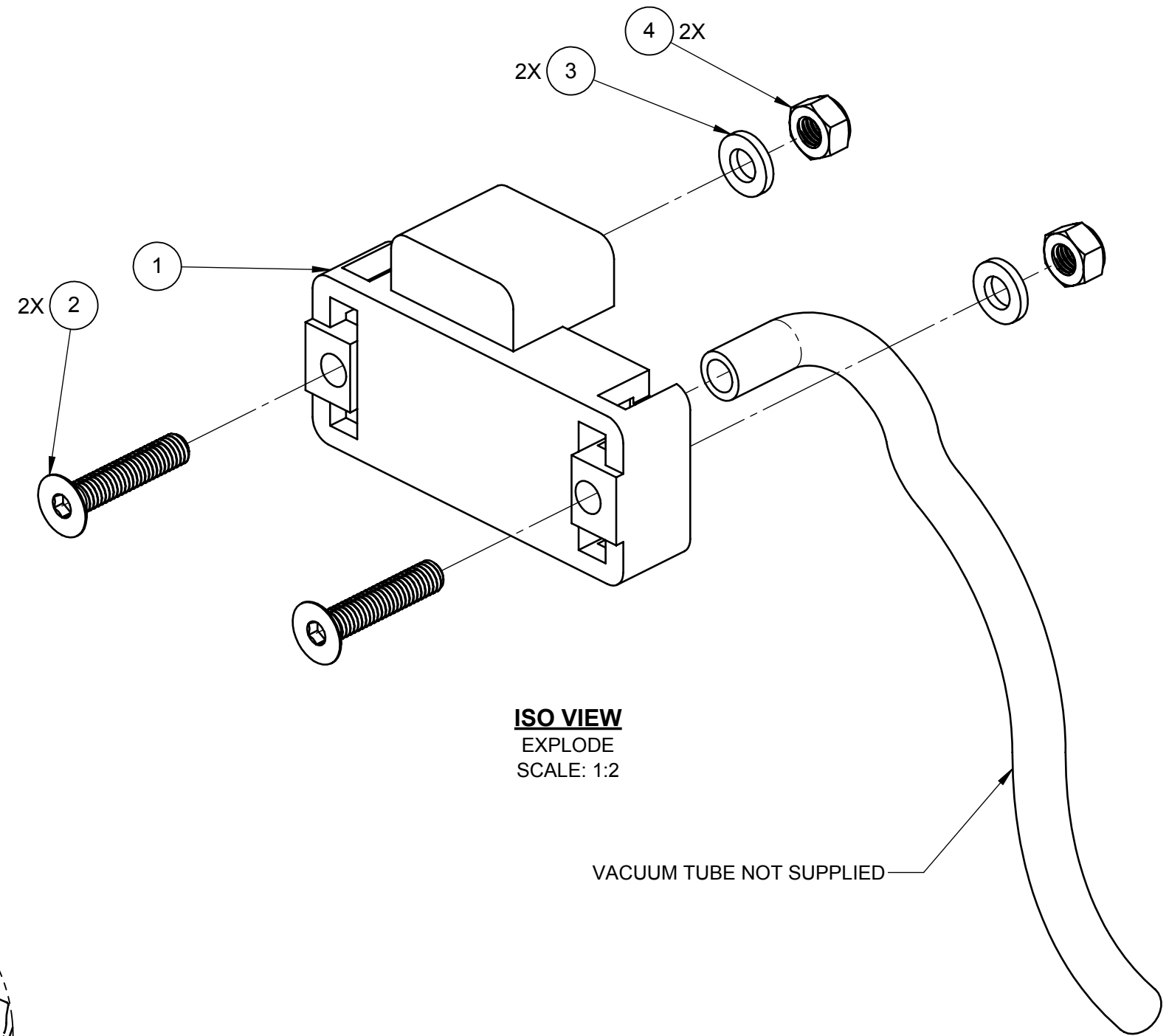


BOM #	DESCRIPTION	PCS PART #	QTY
1	1 BAR MAP SENSOR	SNS1001	1
2	M6X1.0X30mm FHCS	TRN0206	2
3	M6 FLAT WASHER	TRN0208	2
4	M6X1.0 LOCKNUT	TRN0207	2



DESCRIPTION		C6 MAP SENSOR KIT	
USED ON	NEXT ASSEMBLY	SIZE	DRAWING NO.
		B	TRN7086
DRAWN BY	MFP	1/5/2018	REV
ENG APPR.			1
DIMENSIONS ARE IN INCHES		SCALE: 1:4	SHEET 1 OF 1

PROPRIETARY AND CONFIDENTIAL
THE INFORMATION CONTAINED IN THIS DRAWING IS THE SOLE PROPERTY OF PCS. ANY REPRODUCTION IN PART OR AS A WHOLE WITHOUT THE WRITTEN PERMISSION OF PCS IS PROHIBITED.