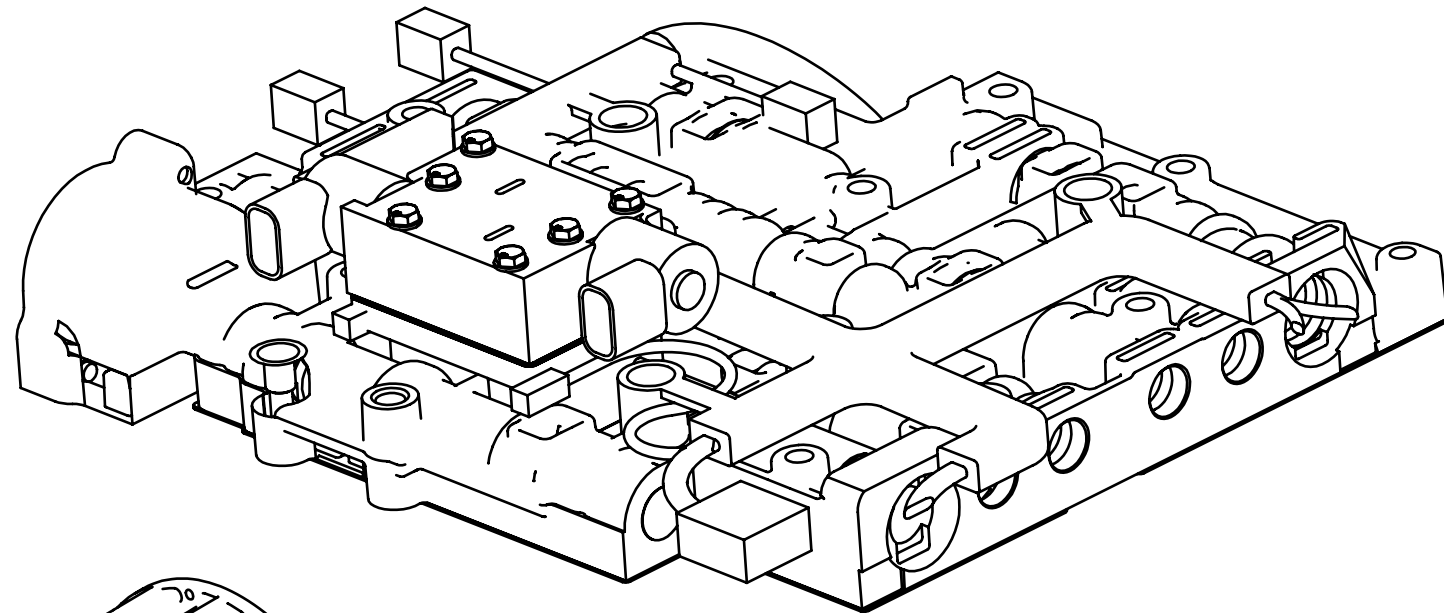


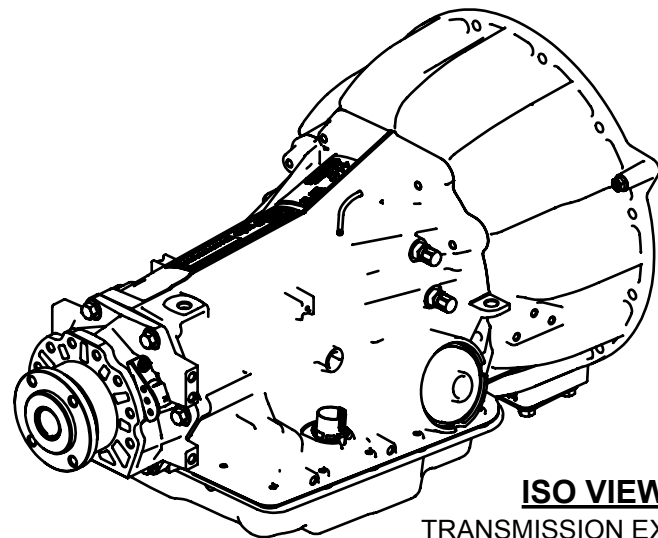
BOM #	DESCRIPTION	PCS PART #	QTY
1	ERF MAIN VALVE - 3 LOBE	VBM1049	1
2	ERF MAIN VALVE - 2 LOBE	VBM1048	1
3	4LHD ERF CLIP	VBM1047	1
4	INTERNAL HARNESS - GENIII ABUSE PROTECTION	VBM4075	1
5	GENIII AUX BLOCK ASSEMBLY	VBM1040	1
6	8680741 STOCK VB BOLT	N/A	1

**NOTES:**

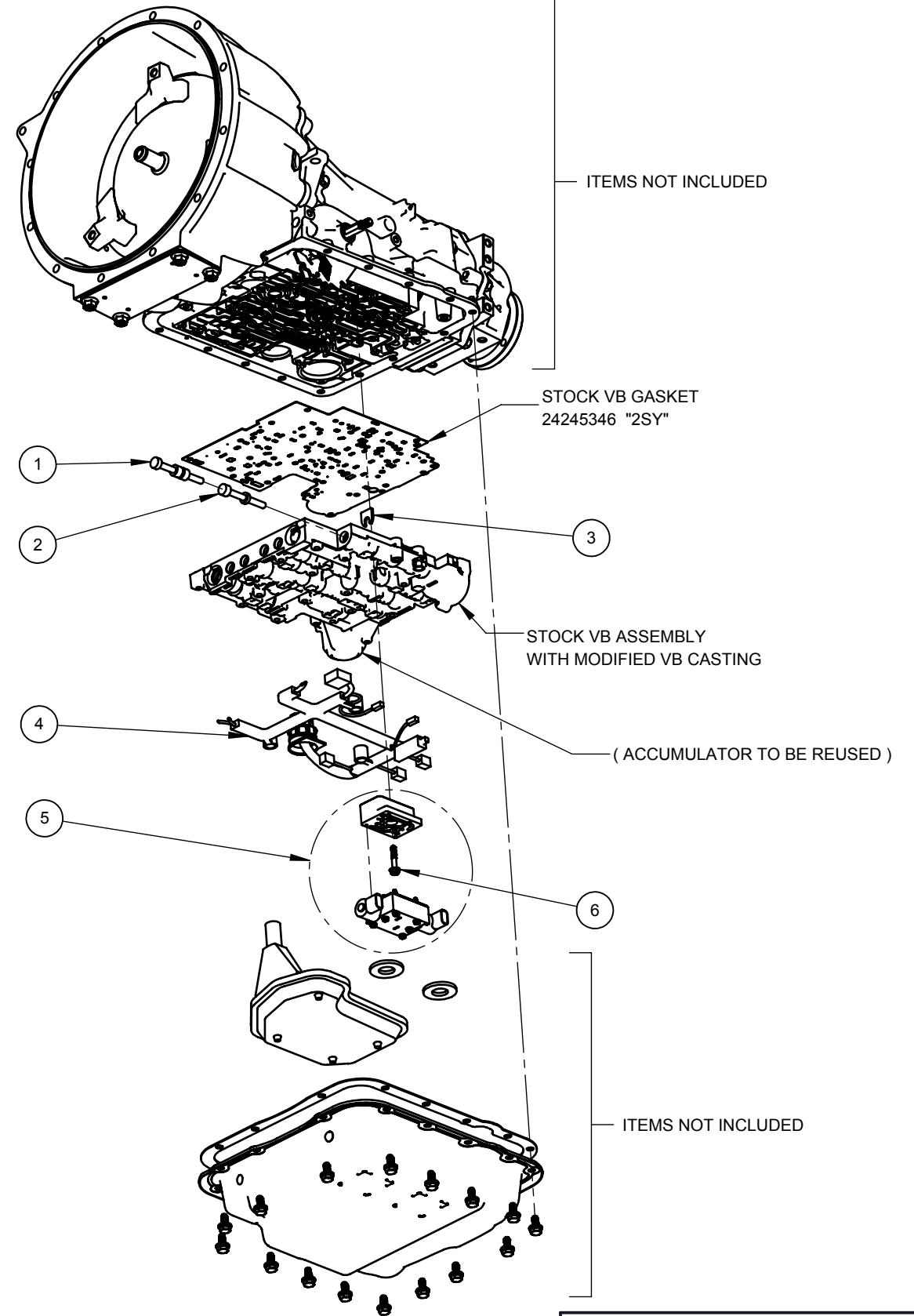
- THIS KIT "TRN0522" IS TO INCLUDE ALL STOCK COMPONENTS FROM THE "2SY" GASKET DOWN, WITH EXCEPTION TO THE VALVEBODY BOLTS (8680741) AND 1-2 ACCUMULATOR (24220142), THESE ITEMS WILL STAY WITH THEIR RESPECTIVE TRANSMISSIONS.
- THE PCS COMPONENTS LISTED ABOVE ARE REPLACEMENTS / ADDITIONS TO THE STOCK COMPONENTS.
- ONE "VALVEBODY BOLT" (8680741) IS TO BE INCLUDED WITH THIS KIT (BOM # 6) AS GENII (2) UNITS REPLACED THESE.
- THE ERF MAIN VALVES (BOM ITEMS 1 AND 2) ARE TO BE INSTALLED FOR ENGINE-BRAKING AS SHOWN.
- THE SEVEN CHECK BALLS (AND ALL OTHER INTERNAL COMPONENTS) ARE TO REMAIN WITH THEIR RESPECTIVE VALVEBODY. A "CHECK-BALL-LOCATION" REFERENCE DIAGRAM IS TO BE INCLUDED WITH EACH KIT FOR THE INSTALLER SUCH AS **FIGURE 33** (PAGE 35) FROM THE 4L60-E TECHNICIAN'S GUIDE.
- AN "AUX-BLOCK-ASSEMBLY" REFERENCE DIAGRAM IS TO BE INCLUDED WITH EACH KIT, SUCH AS THE BOM FOR VBM1040.
- THE PACKAGED KIT IS TO BE TESTED USING STANDARD TRANSMISSION VERIFICATION PROCEDURES.
- THE KIT IS TO BE PACKAGED IN SUCH A MANNER THAN SHIPPING AND HANDLING SHALL NOT CAUSE ANY FORM OF DAMAGE THAT COULD ALTER THE FORM OR FUNCTION OF THE KIT.



**PACKAGED VIEW**  
GENIII VB REPLACEMENT KIT  
SCALE: 1:8



**ISO VIEW**  
TRANSMISSION EXTERIOR  
SCALE: 1:8



**EXPLODED VIEW**  
INTERNAL COMPONENTS  
SCALE: 1:8



DESCRIPTION  
**GENIII (3) VALVEBODY REPLACEMENT KIT**

USED ON	NEXT ASSEMBLY

SIZE <b>B</b>	DRAWING NO. <b>TRN0522</b>	REV <b>2</b>
------------------	-------------------------------	-----------------

**PROPRIETARY AND CONFIDENTIAL**  
THE INFORMATION CONTAINED IN THIS DRAWING IS THE SOLE PROPERTY OF PCS. ANY REPRODUCTION IN PART OR AS A WHOLE WITHOUT THE WRITTEN PERMISSION OF PCS IS PROHIBITED.

DRAWN BY  
MFP  
9/25/2017

ENG APPR.  
AR  
9/25/2017

DIMENSIONS ARE IN INCHES  
SCALE: 1:6  
SHEET 1 OF 1