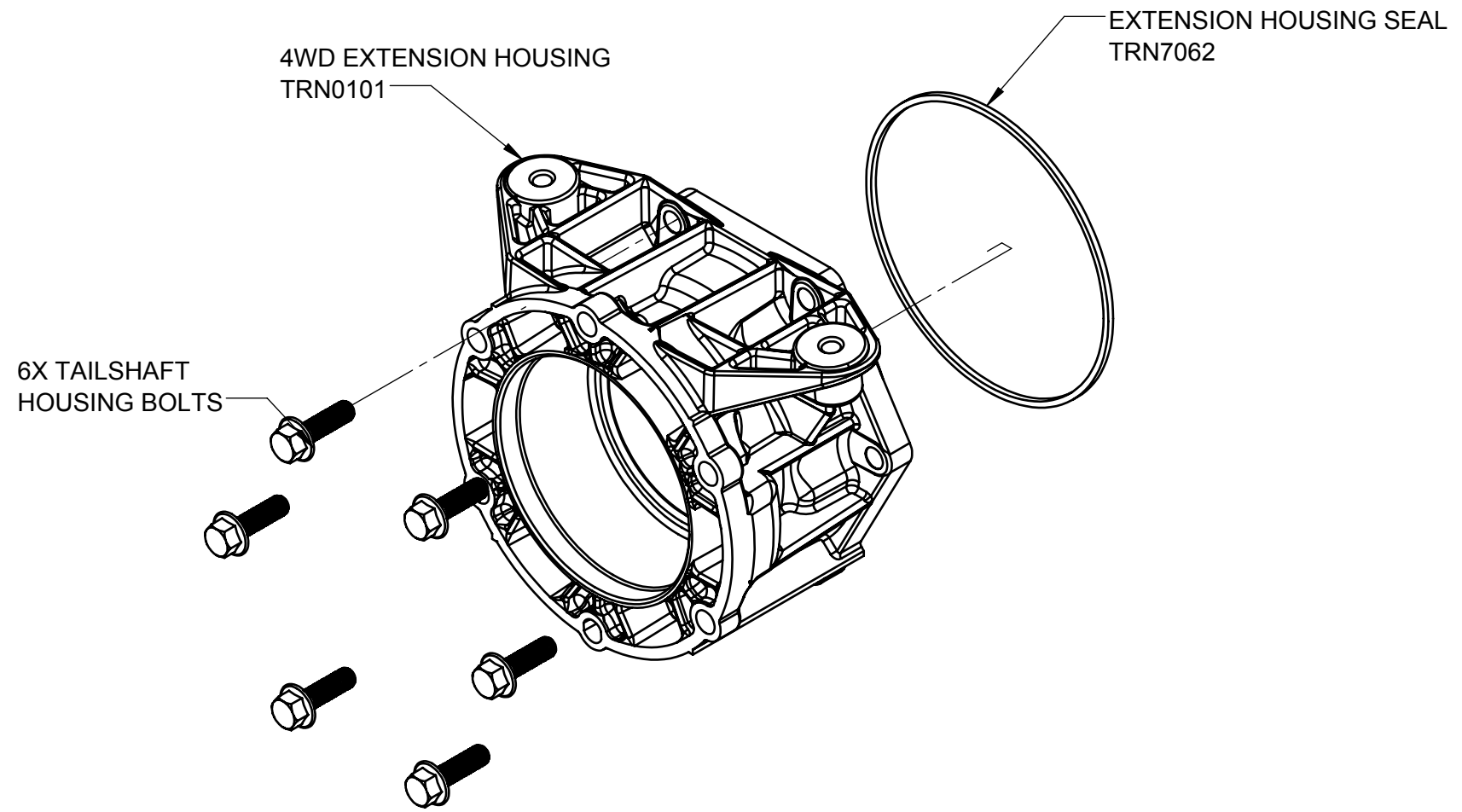


REVISIONS				
REV.	ZONE	DESCRIPTION	DATE	APPROVED
1		INITIAL CONCEPT		




VIEW  
SCALE: 1:3

**PROPRIETARY AND CONFIDENTIAL**  
THE INFORMATION CONTAINED IN THIS DRAWING IS THE SOLE PROPERTY OF PCS. ANY REPRODUCTION IN PART OR AS A WHOLE WITHOUT THE WRITTEN PERMISSION OF PCS IS PROHIBITED.

TOLERANCES (UNLESS OTHERWISE SPECIFIED)	
DECIMAL	.X ±1.0
	.XX ±0.25
	.XXX ±0.1
HOLE DIA.	0.1
ANGLE	±0.5°

USED ON	NEXT ASSEMBLY	MATERIAL:
		FINISH:
		DRAWN BY
		ENG APPR.
		MFG APPR.
DIMENSIONS ARE IN MILLIMETERS		SCALE: 1:5 SHEET 1 OF 1

 <b>Powertrain Control Solutions</b> <i>Engineering the future of driveline control</i>	
DESCRIPTION	
<b>GM 4WD EXTENSION HOUSING</b>	
SIZE	REV
<b>B</b>	1
DRAWING NO.	