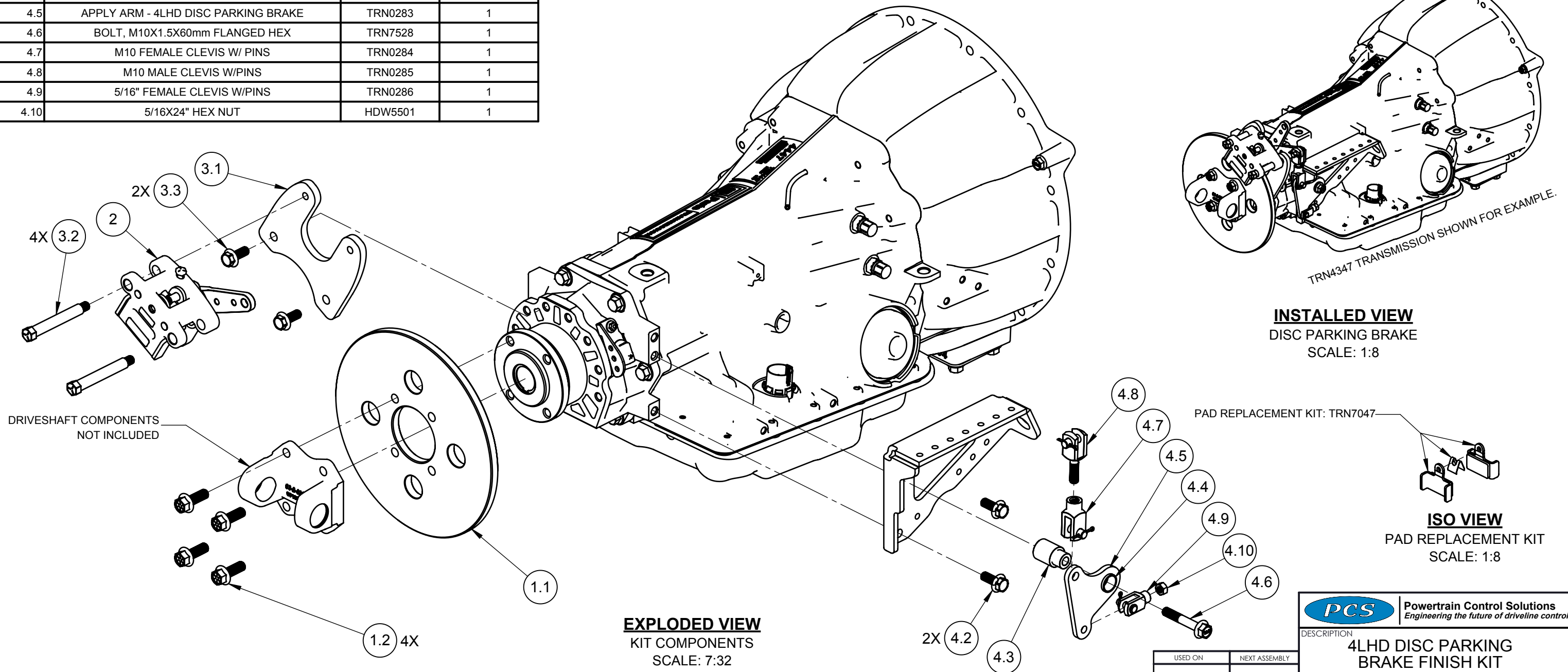


BOM #	DESCRIPTION	PCS PART #	QTY
1	10.25" DISC KIT - 7/16-14" BOLTS	BRK2011	1
1.1	BRAKE DISC - 4LHD - 10.25 X 0.5"	BRK0230	1
1.2	BOLT, 7/16-14X1.25" FLANGED HEX	TRN7531	4
2	BRAKE CALIPER - M515 W/PADS	TRN7035	1
3	CALIPER MOUNTING KIT - M515	BRK2015	1
3.1	CALIPER PLATE - 4LHD DISC PARKING BRAKE - M515	TRN0274	1
3.2	CALIPER BOLT - 12.7X80mm SHOULDER	TRN0275	2
3.3	BOLT, M10X1.5X25mm FLANGED HEX	TRN7500	2
4	FRONT PULL BRAKE LEVER KIT	BRK2020	1
4.1	4LHD BRAKE LEVER BRAKET - FRONT PULL	TRN0280	1
4.2	M10X1.5X25mm FLANGED HEX	TRN7500	2
4.3	LINKAGE SHAFT SLEEVE - 4LHD DISC PARKING BRAKE	TRN0281	1
4.4	3/4 X 7/8 X 0.5" FLANGED SLEEVE BUSHING	TRN0282	1
4.5	APPLY ARM - 4LHD DISC PARKING BRAKE	TRN0283	1
4.6	BOLT, M10X1.5X60mm FLANGED HEX	TRN7528	1
4.7	M10 FEMALE CLEVIS W/ PINS	TRN0284	1
4.8	M10 MALE CLEVIS W/PINS	TRN0285	1
4.9	5/16" FEMALE CLEVIS W/PINS	TRN0286	1
4.10	5/16X24" HEX NUT	HDW5501	1

NOTES:

1. THE FOLLOWING DOCUMENT IS INTENDED FOR USE AS A GENERAL REFERENCE. FOR TORQUE VALUES AND AREAS TO RECEIVE EITHER THREADLOCKER OR ANTI-SEIZE GREASE REFER TO THE PROPER SUB-KIT DOCUMENTATION.
2. THIS KIT IS INTENDED FOR VEHICLES / TRANSMISSIONS USING A FIXED-FLANGE-OUTPUT (FFO) EXTENSION HOUSING WHICH REQUIRE A DRIVESHAFT PARKING BRAKE. THIS DISC SETUP IS THE SAME THICKNESS AS OUR OTHER SPACER AND DISC KITS, ALLOWING THE SAME DRIVESHAFT LENGTH TO BE IMPLEMENTED.
3. DO NOT INSTALL ANY DISC PARKING BRAKE OR DRIVELINE COMPONENTS THAT SHOW MANUFACTURING DEFECTS OR SHIPPING / HANDLING DAMAGES.
4. FOR MORE INFORMATION REGARDING THE FEATURES AND INSTALLATION PROCEDURES OF THE ASSEMBLY PLEASE REFER TO THE *PCS 4LHD/4LHDX APPLICATION GUIDE* OR *4LHD FIXED-FLANGE-OUTPUT APPLICATION GUIDE*.
5. FIXED-FLANGE-OUTPUT EXTENSION HOUSING PROTOTYPES (BRK2010) USED M10X1.5X35MM FLANGED HEX BOLTS (TRN7526). FOR FLANGE BOLT REPLACEMENTS CHECK YOUR UNIT BEFORE ORDERING.
6. DRIVESHAFT COMPONENTS ARE NOT SUPPLIED BY PCS. FOR EXAMPLES OF COMPATIBLE 1310 / 1410 U-JOINTS REFER TO THE *PCS 4LHD/4LHDX APPLICATION GUIDE* OR THE *PCS 4LHD FIXED-FLANGE-OUTPUT APPLICATION GUIDE*.



INSTALLED VIEW
DISC PARKING BRAKE
SCALE: 1:8

ISO VIEW
PAD REPLACEMENT KIT
SCALE: 1:8

EXPLODED VIEW
KIT COMPONENTS
SCALE: 7:32

PROPRIETARY AND CONFIDENTIAL
THE INFORMATION CONTAINED IN THIS DRAWING IS THE SOLE PROPERTY OF PCS. ANY REPRODUCTION IN PART OR AS A WHOLE WITHOUT THE WRITTEN PERMISSION OF PCS IS PROHIBITED.

USED ON	NEXT ASSEMBLY
DRAWN BY	MFP 3/7/18
ENG APPR.	
DIMENSIONS ARE IN INCHES SCALE: 1:12 SHEET 1 OF 1	

PCS Powertrain Control Solutions Engineering the future of driveline control	
DESCRIPTION 4LHD DISC PARKING BRAKE FINISH KIT (MECHANICAL APPLY)	
SIZE B	DRAWING NO. BRK2050
REV 3	