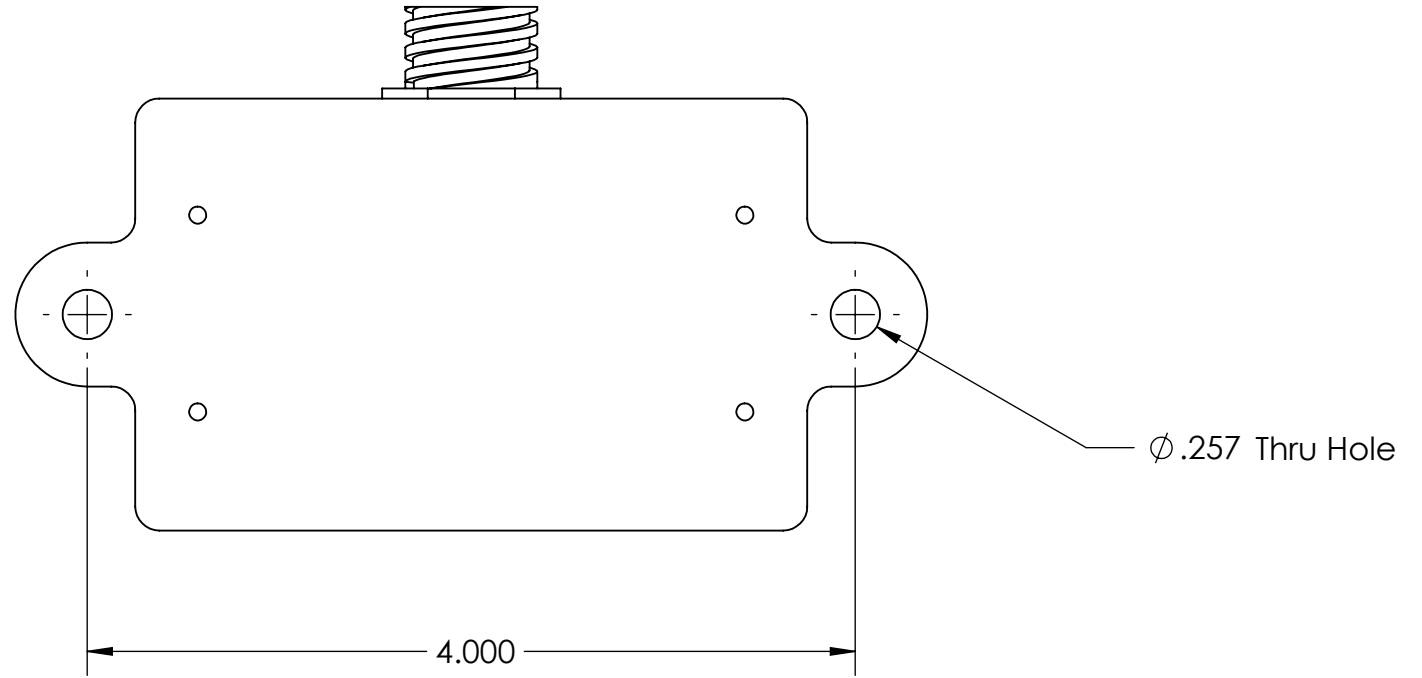


PROPRIETARY AND CONFIDENTIAL:
 THE INFORMATION CONTAINED IN THIS DRAWING IS THE SOLE PROPERTY OF POWERTRAIN CONTROL SOLUTIONS. ANY REPRODUCTION IN PART OR AS A WHOLE WITHOUT THE WRITTEN PERMISSION OF POWERTRAIN CONTROL SOLUTIONS IS PROHIBITED BY LAW.

DIMENSIONS ARE IN INCHES: Linear Tolerance: ± .005 Angular Tolerance: ± 1 degree		NAME MFP	DATE 9/25/2012	Powertrain Control Solutions	
MATERIAL : 6061 Aluminum		ENG APPR. MFP	11/19/2012	PART NAME: Exhaust Gas Temperature Module	
FINISH : -mill; deburr edges -anodize black		COMMENTS : - - -		SIZE A	PCS P/N : EGT2000
DO NOT SCALE DRAWING		SCALE: 2:3	WEIGHT: 0.369lb	Related Project	EGT Module
		SHEET 1 OF 2		REV. 1	

1:1 Scale Mounting Template



PROPRIETARY AND CONFIDENTIAL:
 THE INFORMATION CONTAINED IN THIS DRAWING IS THE SOLE PROPERTY OF POWERTRAIN CONTROL SOLUTIONS. ANY REPRODUCTION IN PART OR AS A WHOLE WITHOUT THE WRITTEN PERMISSION OF POWERTRAIN CONTROL SOLUTIONS IS PROHIBITED BY LAW.

DIMENSIONS ARE IN INCHES: Linear Tolerance: ± .005 Angular Tolerance: ± 1 degree		NAME	DATE	Powertrain Control Solutions	
MATERIAL : 6061 Aluminum		DRAWN	MFP	9/25/2012	PART NAME: Exhaust Gas Temperature Module
FINISH : -mill; deburr edges -anodize black		ENG APPR.	MFP	11/19/2012	
DO NOT SCALE DRAWING		COMMENTS : - - -		SIZE A	PCS P/N : EGT2000
		SCALE: 1:1	WEIGHT: 0.369lb	REV. 1	
		SHEET 2 OF 2		Related Project EGT Module	