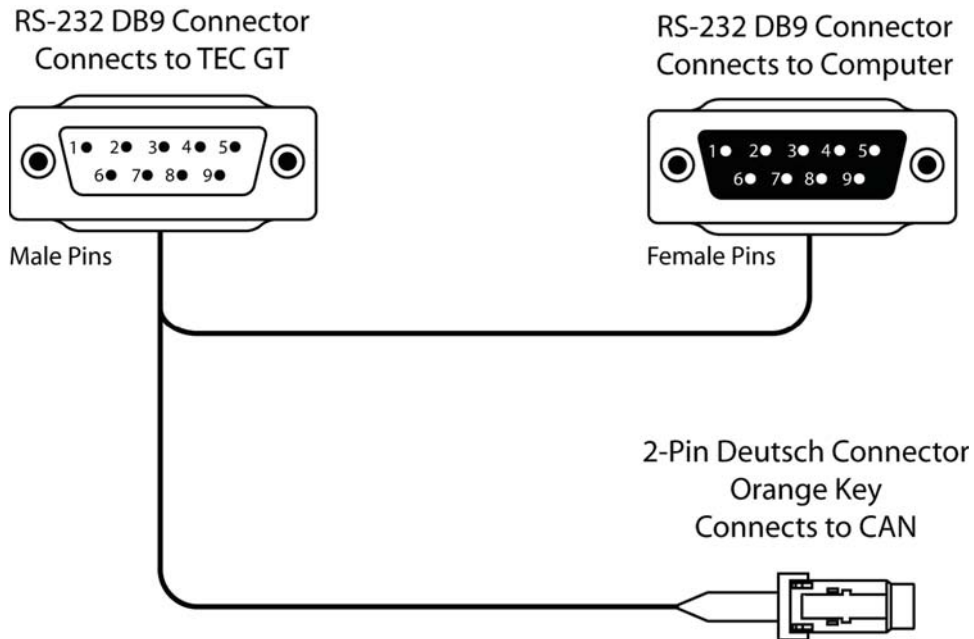


PCS TEC GT Adapter Harness User Guide

The TEC GT Adapter Harness is used to connect an Electromotive TEC GT ECU to the CAN bus. This harness connects to the serial port on the TEC GT and splits to a CAN Deutsch connector and a DB9 serial connector. This harness is shown below.



The pinout for this harness is shown in the table below. All pins not listed below are not connected on the TEC GT adapter harness.

TEC GT DB9 Pin	Computer DB9 Pin	CAN Pin	Function	Color
1	NC	A	CAN High	White/Red
2	2	NC	TEC GT Transmit	Black
3	3	NC	TEC GT Receive	Red
4	NC	B	CAN Low	White/Black
5	5	NC	TEC GT Serial Ground	Bare

Once the TEC GT is connected to CAN, it must be enabled on the D200. To enable a serial device from the D200 Main Menu, select **Communications** then **CAN-A** and select **TEC GT**. Select **Back** to save the settings. You will also have to choose the data you wish to monitor by selecting **Monitor Settings** then **Set Display Data** from the D200 Main Menu. If you are going to Data Log the TEC GT, select **Data Log Settings, Sources**, then **Comm Inputs** to choose the desired data log rate.

LIMITED WARRANTY STATEMENT. Powertrain Control Solutions, LLC. Warrants all merchandise against defects in factory workmanship and materials for a period of 12 months after purchase. This warranty applies to the first retail purchaser and covers only those products exposed to normal use or service. Provisions of this warranty shall not apply to Powertrain Control Solutions, LLC. Product used for a purpose for which it is not designed, or which has been altered in any way that would be detrimental to the performance or life of the product, or misapplication, misuse, negligence or accident. On any part or product found to be defective after examination by Powertrain Control Solutions, LLC., Powertrain Control Solutions, LLC. will only repair or replace the merchandise through the original selling dealer or on a direct basis. Powertrain Control Solutions, LLC. assumes no responsibility for diagnosis, removal and/or installation labor, loss of vehicle use, loss of time, inconvenience or any other consequential expenses. The warranties herein are in lieu of any other expressed or implied warranties, including any implied warranty of merchantability or fitness, and any other obligation on the part of Powertrain Control Solutions, LLC., or selling dealer.